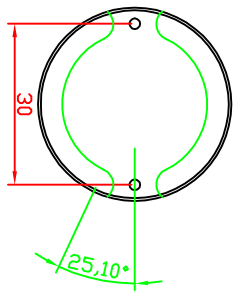
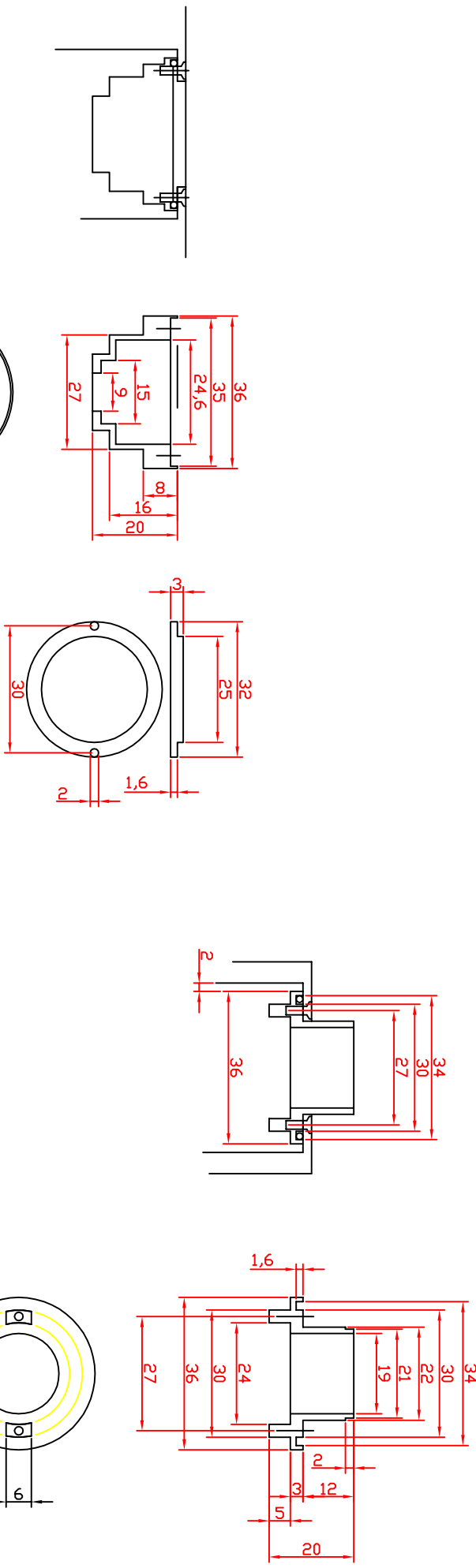


REV / CHANGE NOTICE	DATE	REVISION DESCRIPTION / REASON	APPROVED BY	DRAWN
	09/09/00	NEW DRAWING ISSUED	GPH	GPH

DRAWING CHANGES	
APPROVED BY	DRAWN
GPH	GPH



QTY	LINIS	PART NUMBER	DESCRIPTION	MATERIAL SPECIFICATION	ITCM
			PARTS LIST		

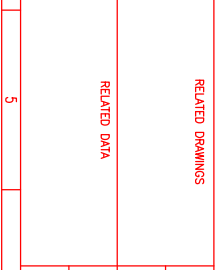
RELATED DRAWINGS		PROTECTIVE TREATMENT		UNLESS OTHERWISE SPECIFIED		DESIGNED		TITLE	
-		-		CONCENTRICITY WITHIN		G.POTTER		VARIABLE FUEL ARM TANK	
-		-		SYMMETRY WITHIN		01/05/08		Aircraft	
-		-		PERPENDICULARITY		G.POTTER		Drawing Number	
-		-		BREAK SHARP EDGES		01/05/08		000	
-		-		CORNER FILET ROUNDS		PROJECT		Sheet of Rev.	
-		-		MACHINED SURFACE FINISH		MILLIMETERS U.N.O.		12 12 1	
-		-		MATERIAL SPECIFICATION		MATERIAL SPECIFICATION		12	

POTTER/SIMONS

Email [potters.engineering@hunterlink.net.au](mailto:potters.engineering@hunterlink.net.au)

RELATED DATA

Third Angle Projection  
AS 1100



MARK PART No. IN REGION MARKED

ALL DIMENSIONS IN MILLIMETERS U.N.O.

000

12 12 1

12